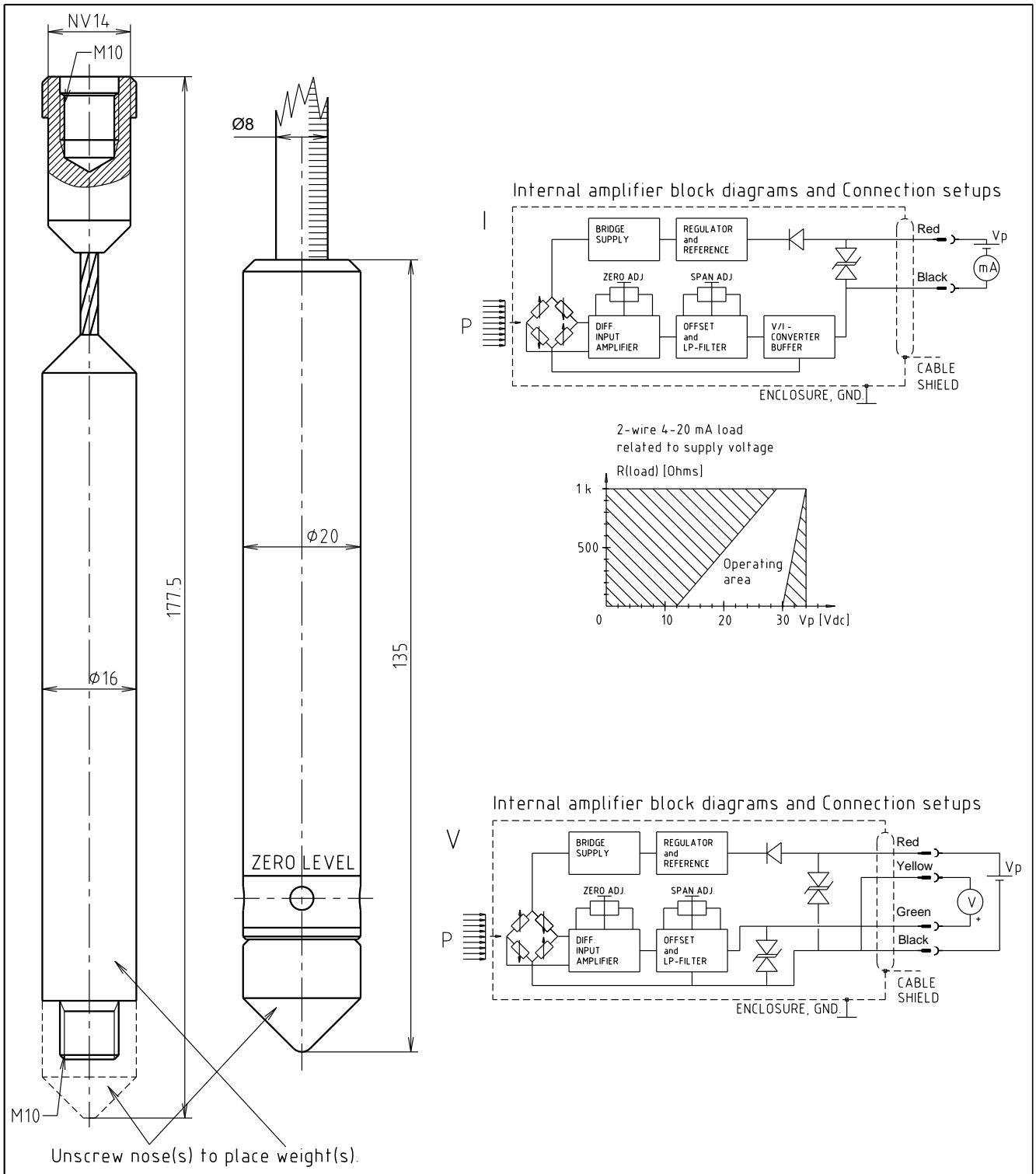


DEPTH & LEVEL TRANSMITTER PSL – $\varnothing 20$ mm



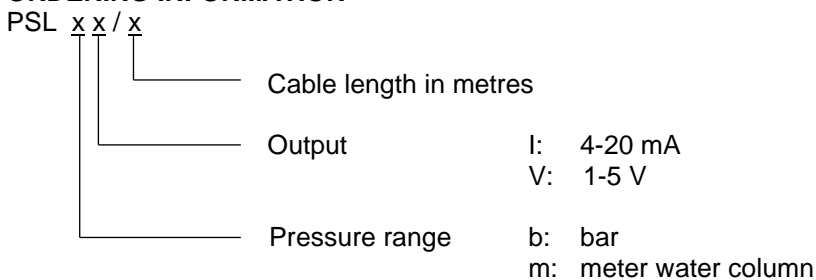
DESCRIPTION

The pressure transmitter is based on a piezoresistive silicon sensor. The stainless steel part is laserwelded to the stainless steel tube which contains the amplifier. The backside of the sensor is ventilated to the atmosphere through a polyamid tube in the cable for the gauge type. The cable shield is connected to the stainless steel housing. All transmitters are helium tested for leak. The transmitter is terminated with a removeable protective cone made of PVC (threaded with M10). The thread can be used for adding additional weight (PSL-16).

SPECIFICATIONS

Pressure range	0.2, 0.5, 1, 2, 4, 5 or 10 bar gauge. 2, 4, 5, 10, 20, 40, 50 or 100 mWC gauge. Intermediate ranges possible.
Pressure limits	0.2 to 1 bar/2 to 10 mWC: 2 bar. 2 to 10 bar/20 to 100 mWC: 2 times range.
Material	Stainless steel AISI 316.
Supply voltage (V_P)	I: 12-30 V _{DC} , 4 mA + output signal current. V: 9-30 V _{DC} , max 4 mA.
Supply voltage effect	< 0.03 %/V.
Output signal	I: 4-20 mA 2-wires (R _L see diagram). V: 1-5 V 4-wires R _L > 10 kohm.
Frequency range	DC-300 Hz (-3 dB).
Temperature range	0 – 70 °C (compensated).
Temperature coefficient of zeropoint and gain	< ± 1.5 % FSO (0 °C to 70 °C with reference to 25 °C). < ± 0.4 % FSO (0 °C to 30 °C with reference to 15 °C). Range: 10mWC - 100mWC
Non-linearity	< 0.25 % (typical 0.1 %).
Repeatability	< 0.05 %.
Long term stability - offset	< ± 0.1 % 1 year (typical).
Long term stability - sensitivity	< ± 0.1 % 1 year (typical).
Transducer weight	100 g.
Surge immunity	According to IEC 61000-4-5: 1995 + Corr1: 1995 2 kV/42 Ohm between wires 4 kV/2 Ohm on cable shield
Cable	Outer insulation: Ø8 mm black PUR. Wires: 4x0.25 mm ² PVC insulated wires. Ventilation: ø2.5 mm polyamid capillary tube. Weight: 50 g/m.
Protection class	2 times range, minimum 20 mWC

ORDERING INFORMATION



PSL-16: 300 g weight (stainless steel AISI 316).