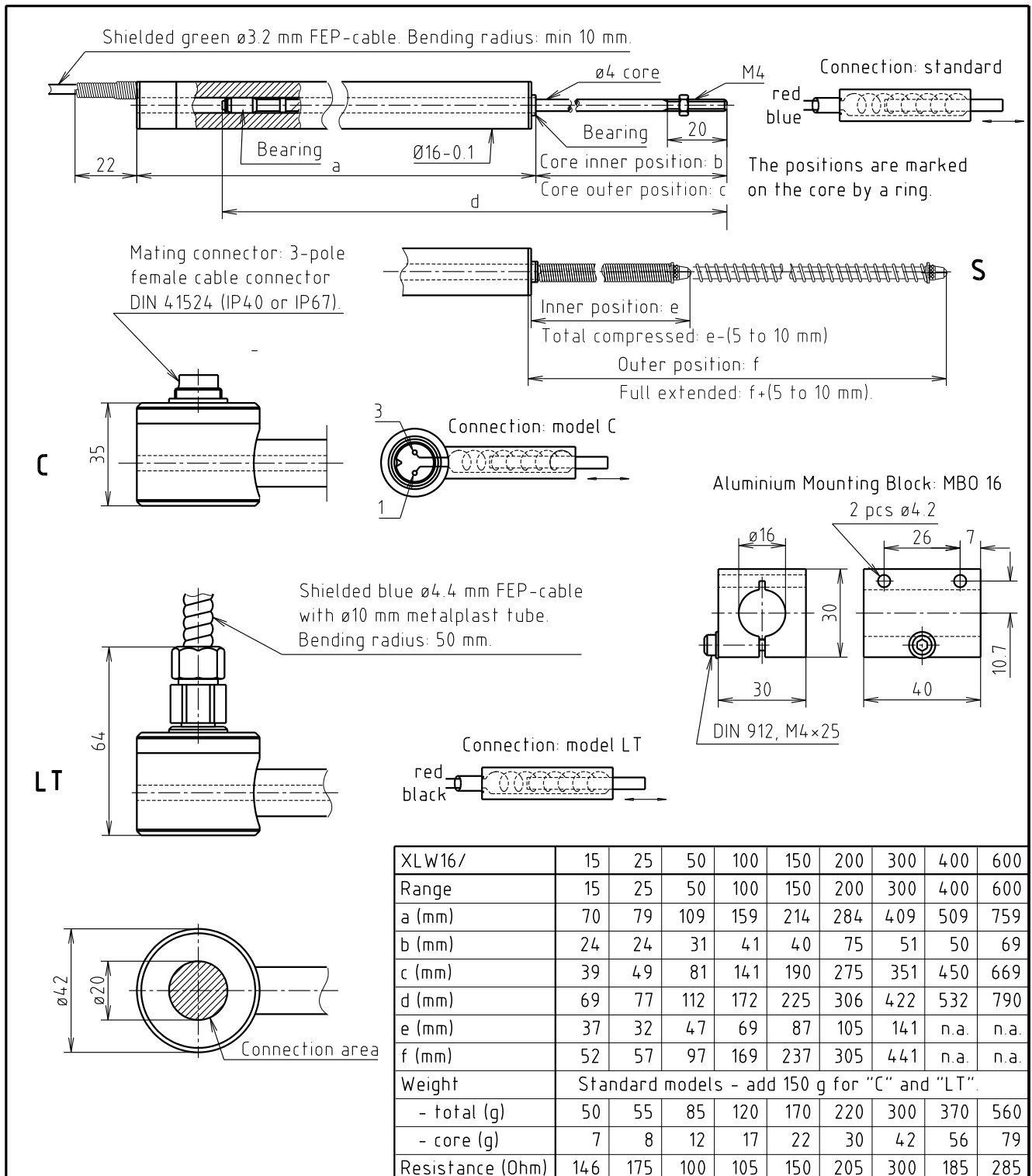


# DISPLACEMENT TRANSDUCER

## XLW 16/ - shortest build-in length

## XLW 16/ S – springloaded core movement



### DESCRIPTION

The XLW inductive transducer is based on a concept where the sensing element consists of only one coil. Special winding technique makes it possible to obtain a linear measuring range up to 80 % of the body length. The basic principle features an electronic contactless measurement and two core teflon bearings in the bore liner gives excellent wear resistance (> 100 mio movements). All outer surfaces are made of high corrosion resistance stainless steel. This, together with the watertight laserwelded construction ensures compatibility to most environments. The XLW is designed to work with the signal conditioner TCA.

2022-04-01

3.3.2.1

## SPECIFICATIONS

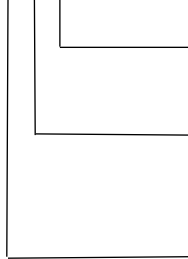
<b>Standard ranges</b>	See front side table with dimensions.
<b>Non-linearity</b>	< 0.5 % of FSO.
<b>Temperature range</b> - standard - C and LT	-40 °C to +150 °C -40 °C to +85 °C
<b>Temperature coefficient</b>	See TCA datasheets.
<b>Transducer materials</b> - coil housing - core	Austenitic stainless steel AISI 316. Ferritic stainless steel Sandvik 18.0.2.
<b>Mechanical environment</b> - vibration - shock	According to IEC 68-2-6 (10-150 Hz, 0.35 mm/5 g). According to IEC 68-2-27 (1000 g half sine, 1 ms).
<b>Protection class</b>	IP67.
<b>Cable length</b>	2 m.
<b>Spring force (only 'S'- models)</b> - outer position - inner position	App. 0.3 kp. App. 0.4 kp.
<b>Ball head dimensions (only 'S'- models)</b> - ball diameter - thread	Ø3 mm. Outside M2.5. Different type of heads available.

## INSTALLATION

Before installation, remove the yellow cap holding the core. A laserwelded ring inside the bore liner prevents the core to fall out during installation. The coil housing is easily fixed with one or two HFJ mounting blocks, MBO 16. NOTE! The anodized block does not ground the transducer housing to the base of which it is mounted. To minimize wear make sure that there is no bending of the transducer core when installed. The core rod ends with a M4 thread for easy attachment. The cable respectively the connector shield is connected to the transducer housing. The opposite end of the connecting cable shield should be attached only to the enclosure or the protective earth point of the corresponding TCA-unit for best performance. Working with the 'C' – version or extension cables, it is important that the mating cable connector house is connected to the cable shield.

## ORDERING INFORMATION

XLW 16/x x x



- |         |  |
|---------|--|
| Nothing | : Standard.                              |
| S       | : Spring loaded core movement.           |
| Nothing | : Axial cable orientation.               |
| C       | : With house and connector.              |
| LT      | : With house and protected radial cable. |
| x       | : Range in mm.                           |

MBO 16 : Mounting block