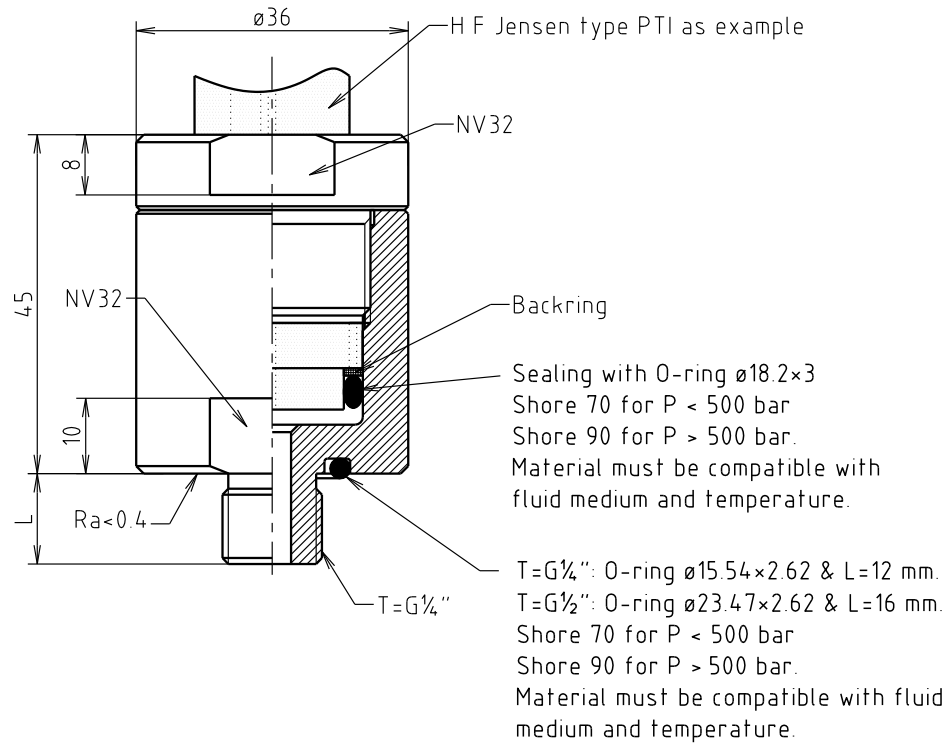
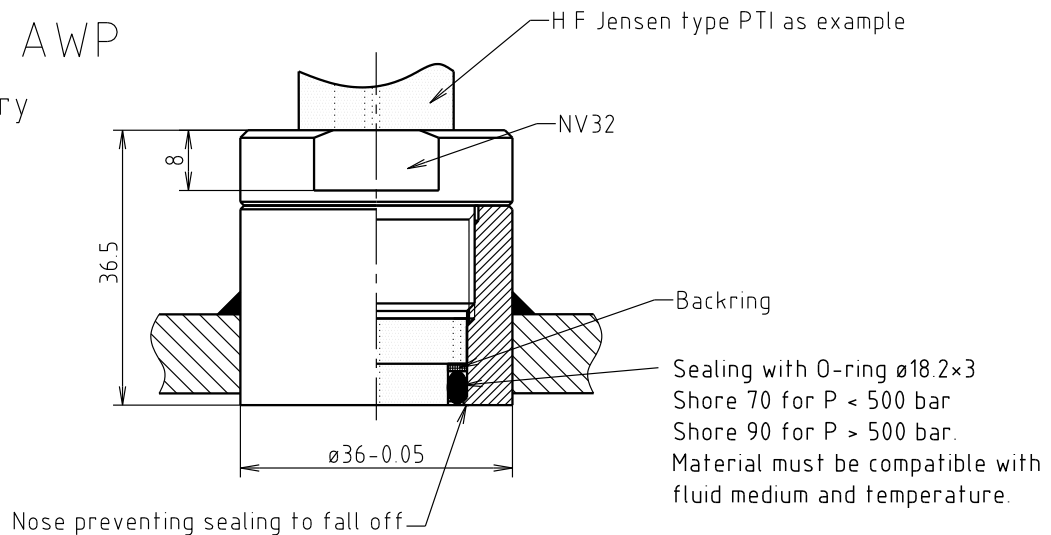


ADAPTORS FOR PRESSURE TRANSDUCERS TYPE PTA, PTI AND PS

Type AP
Threaded



Type AWP
Sanitary



SPECIFICATIONS

Pressure range	Max. 1000 bar
Material	Stainless steel 1.4057
Connections	G ¼", G ½" and flush (welded)

INSTALLATION

Place the transducer in the adaptor and tighten the nut. If the system is exposed to vibrations or is sensing dynamic pressure the nut should be secured with a locking adhesive. For dynamic pressure over 200 bar we recommend a back ring behind the O-ring to support it. Following these instructions you will have a tight installation with a minimum influence on zero-shift and change in sensitivity.

ORDERING INFORMATION

AP x

— G1/4: G ¼" threaded pressure connection
— G1/2: G ½" threaded pressure connection

AWP

Welded pressure connection for flush mounted transducer (sanitary)